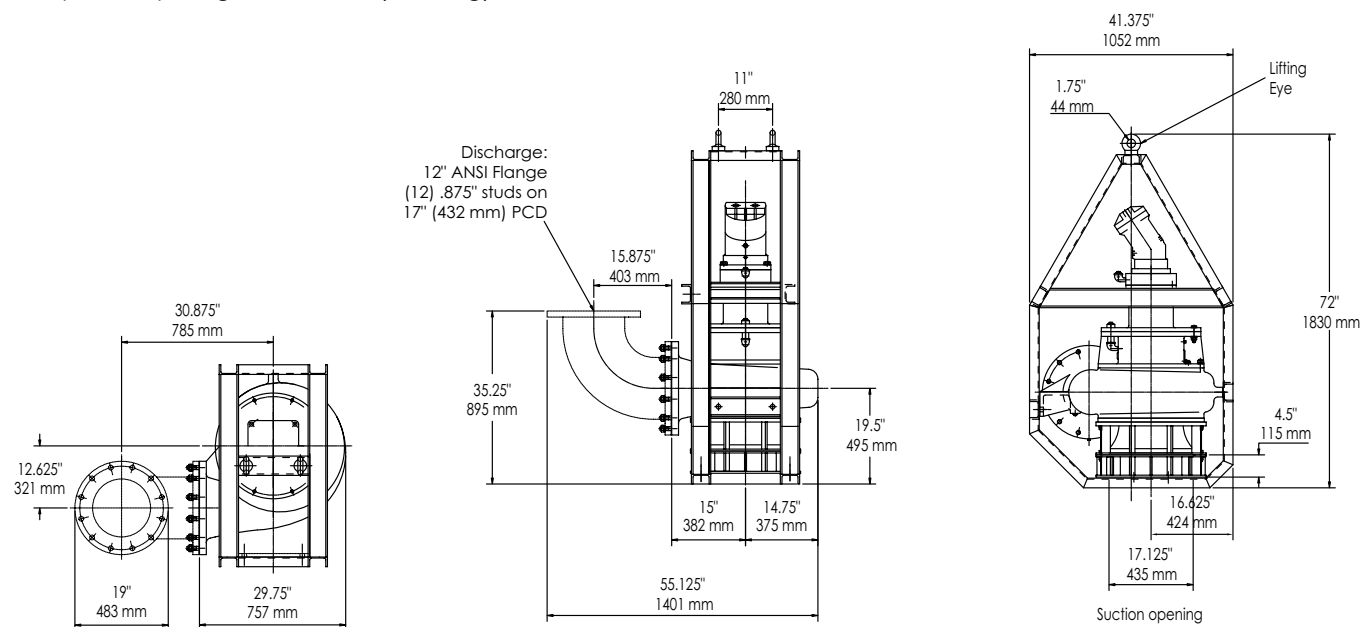


## Drawings

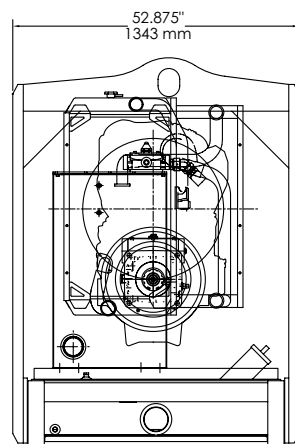
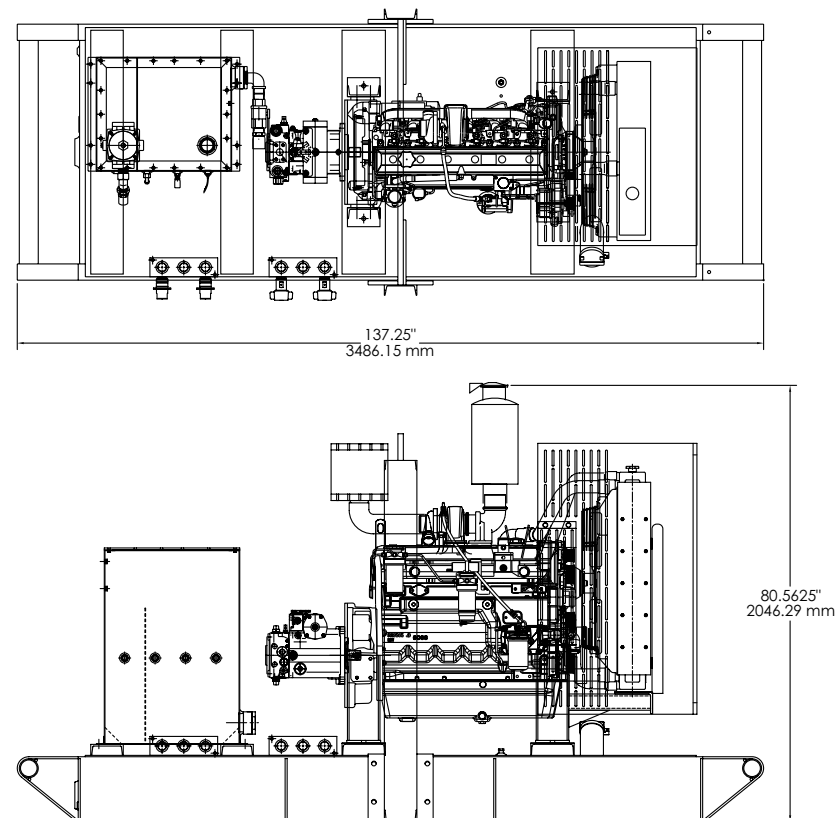
### Submersible Pump

Pumpend dry weight - 2075 lbs. (941.2 kg)



### Skid-Mounted Power Pack

Skid-mounted, John Deere 6068H engine  
Dry weight - 5200 lbs. (2358.68 kg)



#### Home Office:

Godwin Pumps of America, Inc.  
One Floodgate Road  
Bridgeport, NJ 08014 USA  
(856) 467-3636 • Fax: (856) 467-4841  
Email: sales@godwinpumps.com  
www.godwinpumps.com



© Copyright 2006 Godwin Pumps of America, Inc.  
Godwin Pumps, Heidra and the color orange for pumps are registered trademarks of Godwin Pumps of America, Inc.  
Specifications and illustrations are subject to revision without notice.

# Heidra® 300 Hydraulic Submersible Pumps

The Heidra 300 hydraulic submersible pump is a self-contained, hydraulic-powered 12" (300 mm) submersible pump with a diesel-driven hydraulic power unit available for heavy duty municipal and industrial dewatering and solids handling pumping applications.

A variable displacement hydraulic piston pump on the power pack delivers hydraulic fluid to a fixed displacement piston motor that drives the pumpend's shaft, bearings and cast steel impeller. Simple engine throttle adjustments allow changes to pump flow and head performance.



HS300 pumpend pictured with optional critically silenced powerpack.

## Features

- Cast iron pumpend with cast chromium steel impeller designed for general pumping with solids handling up to 3.75" (95 mm) in diameter.
- Capable of flow rates to 6,000 GPM (1,363.3 m<sup>3</sup>/h) and heads to 200' (61 m).
- Unique double mechanical seal immersed in isolated oil bath for unlimited dry running capability.
- Integral 200 gallon (757 l) fuel tank capacity provides over 24 hours of continuous operation.
- Safety shutdown system incorporated into engine controls prevents equipment damage from engine fault or failure.
- Standard PrimeGuard Controller provides programmable operations including setting maintenance timers.
- Integrated steel cage on pumpend protects pump while submersed, provides a lifting bale for easy transfer and provides an anchor spot for the hydraulic fittings.
- "Quick Disconnect" hydraulic fittings simplify setup, installation and shutdown.
- Standard JD6068H engine. Other models, including electric drive versions, available.



# Specifications

## Submersible Pump

Hydraulic Motor	Fixed Piston
Drive Pressure	Up to 4500 PSI (310 BAR)
Hydraulic Flow	Up to 85 GPM (19.3 m <sup>3</sup> /h)
Hydraulic Line Length	Up to 100' (30.5 m) longer runs with larger diam. hose
Solids Handling	Up to 3.75" (95 mm) in diameter
Pump Speed (RPM)	Up to 1800 RPM
Impeller Diameter	14.25" (362 mm)
Discharge Flange	12" (300 mm) ASA 150
Hydraulic Connections	4 - 1.25" (32 mm), 1 - 0.75" (19 mm) quick disconnect
Strainer	Nylon coated with 2.75" (70 mm) apertures

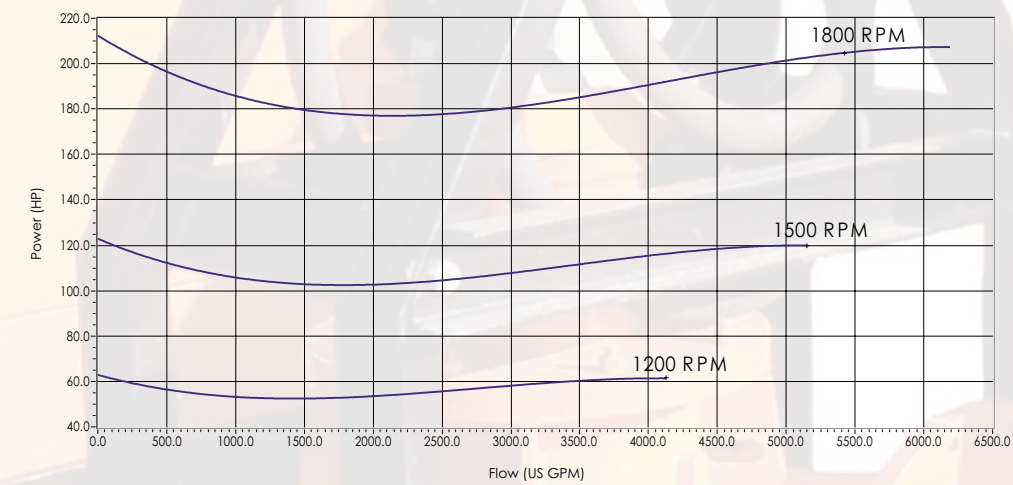
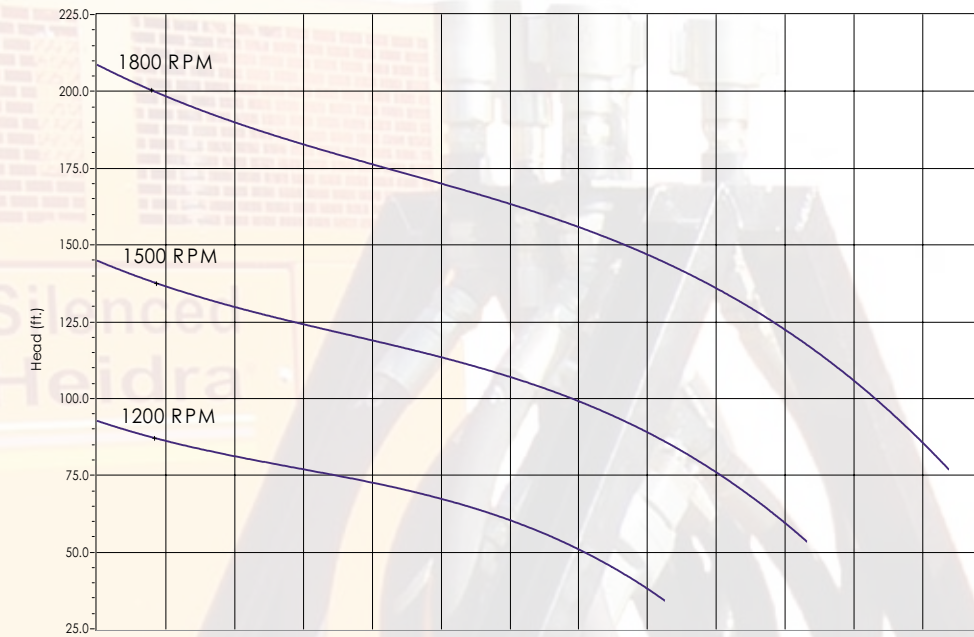
## Power Pack

Engine	JD6068H water-cooled diesel 275 HP (205 kW) @ 2,000 RPM
Fuel Consumption	13.5 GPH (51 l/h)
Fuel Tank Capacity	200 gallons (757 l)
Output Hydraulic Flow	85 GPM (19.3 m <sup>3</sup> /h)
Output Pressure Control	4500 PSI (310 BAR)
Hydraulic System	Four pipe, closed loop hydrostatic drive
Reservoir	80 gallons (303 l)
Control Valve	Pressure compensated on/off valve
Connections	1.25" (31.75 mm) quick disconnect feed (x2) and return (x2); 0.75" (19 mm) quick disconnect case drain
Supply Line Filter	125 micron, pleated gauze
Return Line Filter	20 micron

## Materials of Construction

Pumpend	Cast iron
Impeller	Cast steel
Wearplates	25% Chromium iron front wearplate, nitride hardened cast iron rear wearplate
Mechanical Seal	Solid silicon carbide

# Performance Curve



Notes  
 Curves based on pump speed. Performance will depend on hydraulic power unit.  
 Published performance is achieved at total suction lift heads up to 15' (4.57 m). When greater, reduce performance.

## Performance Table

Diesel Set - JD6068H, 275 HP (205 kW) @ 2000 RPM  
 Impeller Diameter: 14.25" (362 mm)

Output - GPM			
40	80	120	160
6000	5810	4870	3010
5480	5250	4700	3000
4850	4780	4500	2900

Performance data listed in table and curves based on water test at sea level and 68°F (20°C). Maximum flows may require larger diameter pipes.